



Starter 1. What is the total of all the internal angles in a:

Triangle = Quadrilateral =

Pentagon = Hexagon =

2. The angle between perpendicular lines is

Top Tips! Learn the rules of angles with parallel lines



Alternate angles (z)
Equal



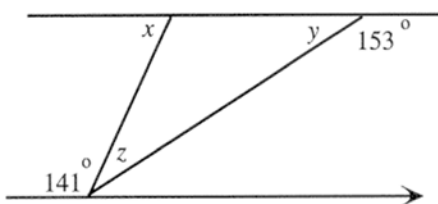
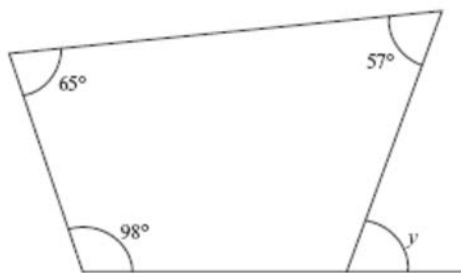
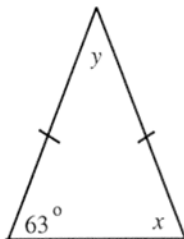
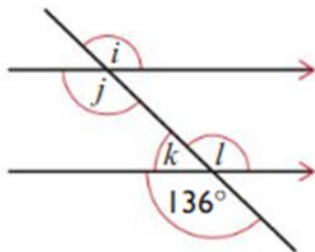
Corresponding angles (F)
Equal



Interior angles (C/U)
Add to 180°

Skills:

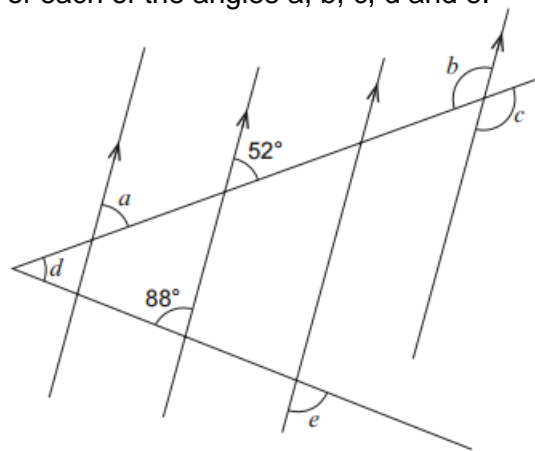
Calculate the value of each angle labelled with a letter:



Examination Question: 2014 June Methods U1 Higher Q1

Find the size of each of the angles a, b, c, d and e.

[5]



a = b = c = d =

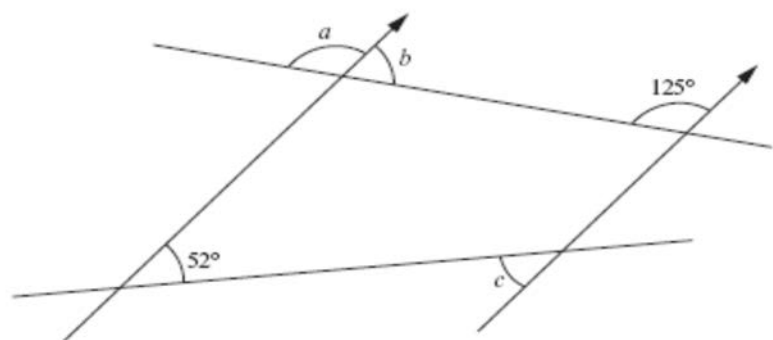


Diagram not drawn to scale

Find the size of each of the angles a, b and c.

a = ° b = ° c = °

[3]

Assessment for Learning



Starter

What is the total of all the internal angle in a:

Triangle = 180°

Quadrilateral = 360°

Pentagon = 540°

Top Tips! Learn the rules of angles with parallel lines



Alternate angles (z)
Equal



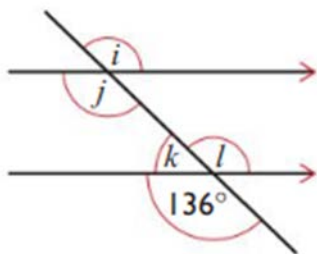
Corresponding angles (F)
Equal



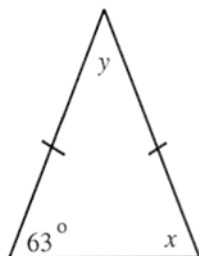
Interior angles (C/U)
Add to 180°

Skills:

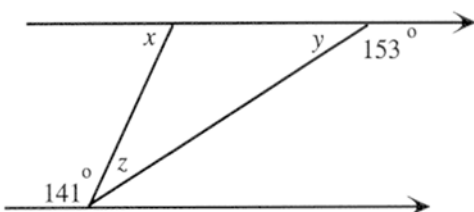
Calculate the value of each angle labelled with a letter:



$l = 136^\circ, k = 44^\circ, j = 136^\circ, i = 136^\circ$



$x = 63^\circ, y = 54^\circ$



$y = 27^\circ, z = 12^\circ, x = 39^\circ$

Examination Question: 2014 June Methods U1 Higher Q1

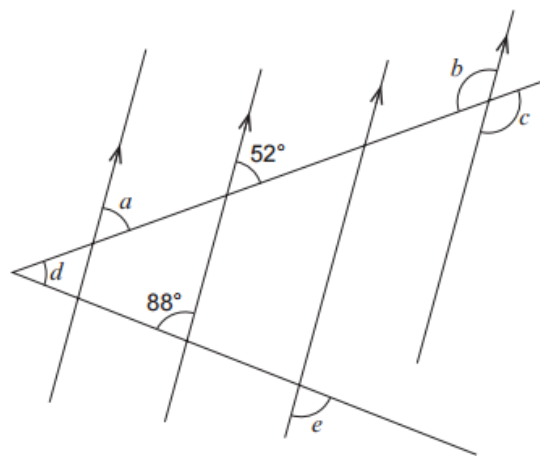


Diagram not drawn to scale

Find the size of each of the angles a, b, c, d and e. [5]

$a = 52^\circ$

$b = 128^\circ$

$c = 128^\circ$

$d = 40^\circ$

$e = 88^\circ$

Assessment for Learning

Video / QR code

